

**LASCO**



# ATTACHMENTS

LASPLIT LAGRIP & LACOMBI SERIES

*TECHNOLOGY FOR HEROES.*







# STRIVING FOR THE BEST

We have always listened carefully when it comes to the wishes and requirements of our customers. Our aim is to build exceptionally powerful, hard-wearing and durable machines in all our product areas. For example, our log grapples are often used on excavators - this is made possible by the generous oversizing of all components subject to heavy loads.

Our cone splitters split oversized logs as if they were fragile toothpicks. At first glance, this splitting performance seems impossible. However, if you take a closer look at the technical details, you will see that there is a lot of know-how in the devices that leads to this performance. This know-how runs through our entire product range.

The result: LASCO attachments are now used successfully all over the world. This fills us with humility, gratitude and pride at the same time. At the same time, it is an incentive for us to never stop striving for the new - and for the best.

LASCO – Technology for Heroes

  
Johannes Landrichinger

  
Werner Landrichinger



# CONE SPLITTERS

## THE LASPLIT-SERIES

Experience high efficiency and high versatility when splitting wood: The LASCOCO LASplit cone splitter impresses with its robust design, low weight and unique splitting performance thanks to its performance threads.

It works quickly, safely and saves valuable time. Whether for municipal use, forestry or in the private sector: The simple mounting on various carrier vehicles (e.g. excavators or front loaders) and the virtually maintenance-free operation make the LASCOCO cone splitter the ideal solution for anyone who wants to split large logs effortlessly.

# DESIGN AND ADVANTAGES OF OUR CONE SPLITTER.

- + already over 10000 customers
- + large product range - suitable for all carrier vehicles
- + durable and stable in value thanks to two tapered roller bearings installed in opposite directions
- + Almost maintenance-free
- + simple connection to the carrier vehicle (no case drain line required)
- + weight reduction thanks to special tapered castings
- + affordable entry-level models such as Ecosplit and LASplit D1

+ Universal mounting flange plate compatible with all excavator mounts

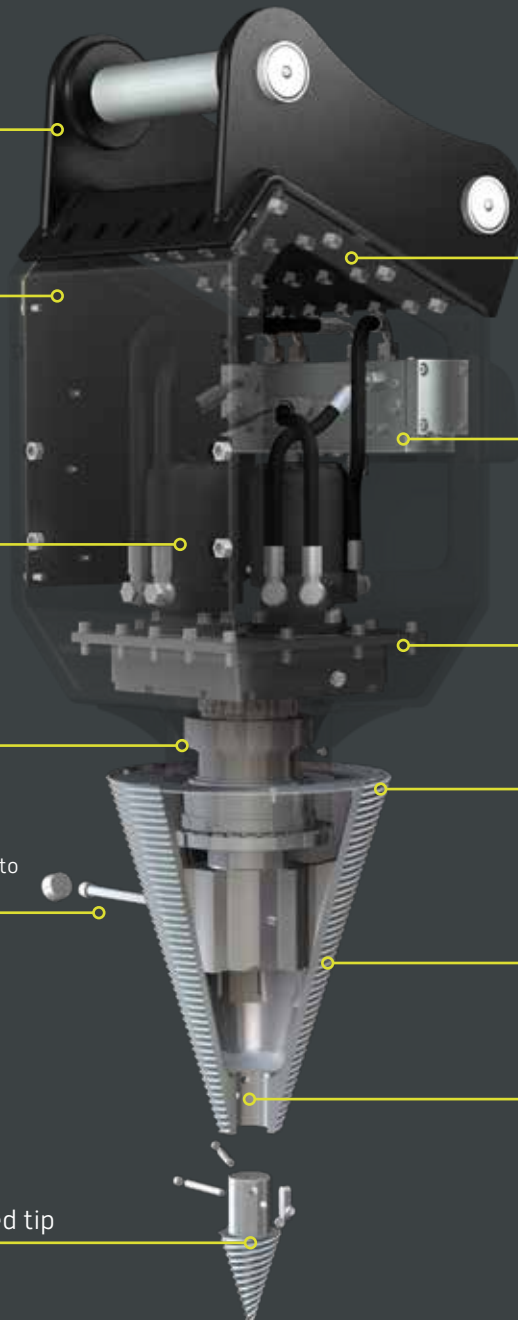
+ Extremely robust design and Protection thanks to solid body

+ High-performance brand motors with increased service life ensure high torque

+ Drive shaft matched to the application

+ Multiple benefits from LASCO Attachments, quickly exchanged thanks to quick-change system

+ Hardened and replaceable tapered tip



+ Simple connection (flow/return)  
No case drain line necessary

+ Additional performance optimization\*  
by distributor or valve block. Adjustable switching time for valve block

+ Even more powerful due to the gearbox\*  
Pros shift into 2nd gear.

+ Splitting cone diameter adapted to use

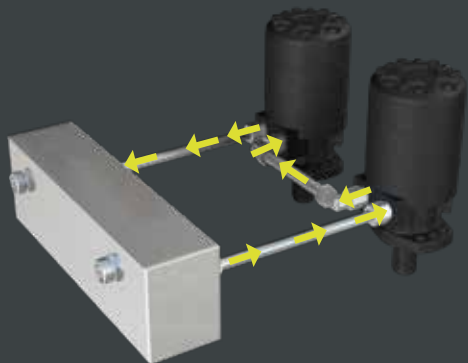
+ High splitting performance thanks to Performance threads and optimized pitch of our unique splitting cone

+ Significant weight reduction through cone molds

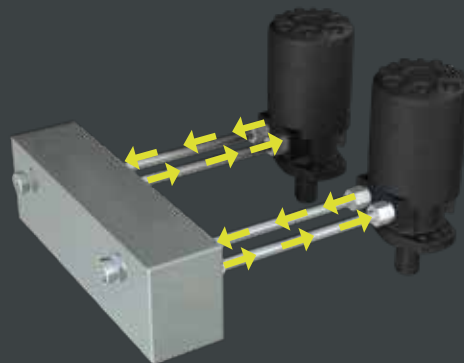
\*for multi-engine models

# OILWAYOPTIMIZED – FOR HIGH SPLITTING PERFORMANCE BECAUSE TORQUE ALONE IS NOT ENOUGH FOR US.

Serial oil flow [simplified representation]



Parallel oil flow [simplified illustration]



From model series D2 onwards, the oil flow of the LASCO cone splitter is optimized for the carriers used.

## **DISTRIBUTOR BLOCK** [parallel oil flow]

With the distributor block, the oil flow is switched in parallel. The splitting performance is always equally fast and strong. This variant is particularly gentle on the engine with high liter outputs of the carrier device used.

## **VALVE BLOCK** [oil flow in series & parallel]

The valve block offers maximum splitting speed, even with low oil flow capacities of the carrier vehicle. The splitting process starts in fast gear [oil flow switched in series]. At high loads, the valve block switches to parallel operation. The valve block can therefore switch the oil flow both in series and in parallel.

## FURTHER ADVANTAGES & POSSIBLE APPLICATIONS



Splitting and manipulating in a single operation.



Use on front loader with LASCO Euro mount.

# LEADING MANUFACTURERS OF WOOD CHIPPERS

rely on the LASCO cone splitter as original equipment manufacturer

Our customers appreciate the combination of highway approval and high off-road mobility of our Diamant 2000 wood chipper, as this reduces set-up times. The flexible adjustment of the wood chip size is a further advantage. The LASCO cone splitter has established itself as an important tool. Oversized logs are simply pre-split with the splitter.

SALES, ALBACH MASCHINENBAU AG

**ALBACH**



The Lasco log splitter is ideal for chopping oversized timber to a size that allows a work order for a HEIZOHACK wood chipper to be completed in full. The diameter of the wood does not matter.

The wood chipper can continue to be operated while working with the LASCO cone splitter, as the feed flap does not have to be lifted for the splitting process. This saves costs and reduces the machine's idle time.

SALES, HEIZOMAT GMBH

**Heizomat**



In connection with the centric blower of our Chippertrucks, we needed a lightweight, very powerful splitter that could also be easily stowed on the truck due to the limited space available. The combination of JENZ Chippertruck with centric blower and powerful LASCO cone splitter considerably increases the machine's range of use and represents a highly flexible overall package.

SALES, JENZ GMBH

**JENZ**



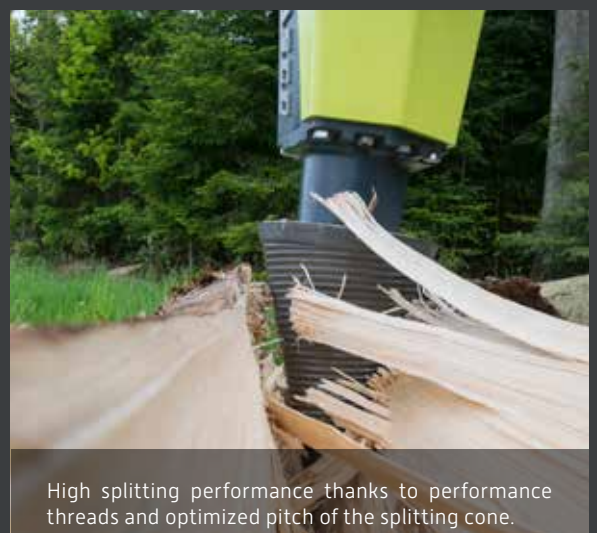
© Photo: JENZ GmbH



© Photo: Heizomat GmbH



© Photo: Albach Maschinenbau GmbH



High splitting performance thanks to performance threads and optimized pitch of the splitting cone.

# LASCO CONE SPLITTER

large model range // over 10,000 satisfied customers // unique splitting performance

EcoSplit



A	241
B	201
C	180
D	368
E	810

D1.47.19



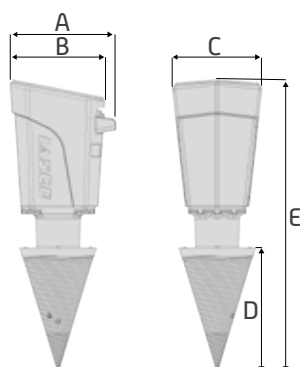
A	375
B	331
C	306
D	369
E	815

D1.47.21 // D1.52.21 //  
D1.62.21



A	362
B	326
C	308
D	343
E	864

MEASUREMENTS



D1.10.21



A	375
B	335
C	319
D	365
E	960

D1.10.28



A	375
B	335
C	319
D	440
E	1035

Type	Part-no.:	Wood lengths	Wood diameter	Carrier weight	Motor type	Oil flow rate	Max. oil pressure	Weight
EcoSplit	117486	150 cm	50 cm	1,3-5,0 t.	47	13-19 l/min	155-169 bar	80 kg
D1.47.19	210354	150 cm	50 cm	1,3-5,0 t.	47	13-30 l/min	170-200 bar	90 kg
D1.47.21	117532	200 cm	70 cm	1,3-5,0 t.	47	20-40 l/min	170-200 bar	90 kg
D1.52.21	117533	200 cm	70 cm	1,3-5,0 t.	52	20-80 l/min	221-270 bar	90 kg
D1.62.21	117534	200 cm	70 cm	1,3-5,0 t.	62	20-80 l/min	170-220 bar	90 kg
D1.10.21	117535	300 cm	90 cm	2,0-8,0 t.	10	31-150 l/min	170-210 bar	120 kg
D1.10.28	117536	300 cm	100 cm	2,5-8,0 t.	10	31-150 l/min	170-210 bar	130 kg
D1.52.28 G	133986	300 cm	100 cm	2,5-8,0 t.	52	40-80 l/min	221-270 bar	135 kg
D1.62.28 G	133987	300 cm	100 cm	2,5-8,0 t.	62	40-80 l/min	170-220 bar	135 kg

Product designation (legend)

D1 = No. of motors Motors

10 = Motor type

21 = Cone diameter [cm]

G = Reduction gearbox

Note: Wood lengths and diameters are approximate and always depend on the splitting material.

D1.52.28 // D1.62.28



A	438
B	350
C	353
D	462
E	1073

D2.52.40 // D2.62.40  
D3.52.40 // D3.62.40



A	578
B	478
C	465
D	641
E	1395

D4.52.60 // D4.62.60



A	562
B	429
C	473
D	1062
E	1848

D2.52.28 // D2.62.28



A	438
B	350
C	353
D	462
E	1073

D4.52.40 // D4.62.40



A	562
B	429
C	473
D	641
E	1453

Type	Part-no.:	Wood lengths	Wood diameter	Carrier weight	Motor type	Oil flow rate	Max. oil pressure	Weight
D2.52.28 G	133988 <sup>1</sup> 133989 <sup>2</sup>	400 cm	110 cm	3,0-8,0 t	52	50-150 l/min <sup>1</sup> 50-80 l/min <sup>2</sup>	221-270 bar	155 kg
D2.62.28 G	133990 <sup>1</sup> 133991 <sup>2</sup>	400 cm	110 cm	3,0-8,0 t	62	50-150 l/min <sup>1</sup> 50-80 l/min <sup>2</sup>	170-220 bar	155 kg
D2.52.40 G	130705 <sup>1</sup> 130706 <sup>2</sup>	500 cm	130 cm	5,0-15,0 t	52	80-180 l/min <sup>1</sup> 80-180 l/min <sup>2</sup>	221-270 bar	400 kg
D2.62.40 G	130707 <sup>1</sup> 130708 <sup>2</sup>	500 cm	130 cm	5,0-15,0 t	62	80-180 l/min <sup>1</sup> 80-180 l/min <sup>2</sup>	170-220 bar	400 kg
D3.52.40 G	130709 <sup>1</sup> 130710 <sup>2</sup>	500 cm	150 cm	7,0-19,0 t	52	100-220 l/min <sup>1</sup> 100-220 l/min <sup>2</sup>	221-270 bar	400 kg
D3.62.40 G	130711 <sup>1</sup> 130712 <sup>2</sup>	500 cm	150 cm	7,0-19,0 t	62	100-220 l/min <sup>1</sup> 100-220 l/min <sup>2</sup>	170-220 bar	400 kg
D4.52.40 G	130575 <sup>1</sup> 130662 <sup>2</sup>	700 cm	200 cm	10,0-25,0 t	52	120-300 l/min <sup>1</sup> 120-300 l/min <sup>2</sup>	221-270 bar	600 kg
D4.62.40 G	130658 <sup>1</sup> 130670 <sup>2</sup>	700 cm	200 cm	10,0-25,0 t	62	120-300 l/min <sup>1</sup> 120-300 l/min <sup>2</sup>	170-220 bar	600 kg
D4.52.60 G	130739 <sup>1</sup> 130742 <sup>2</sup>	700 cm	200 cm	10,0-25,0 t	52	120-300 l/min <sup>1</sup> 120-300 l/min <sup>2</sup>	221-270 bar	600 kg
D4.62.60 G	130740 <sup>1</sup> 130743 <sup>2</sup>	700 cm	200 cm	10,0-25,0 t	62	120-300 l/min <sup>1</sup> 120-300 l/min <sup>2</sup>	170-220 bar	600 kg

# ATTACHMENTS & ATTACHMENT SOLUTIONS

## MORE POSSIBILITIES

With the LASCO attachments, the LASCO cone splitter becomes a universally applicable device.

The quick-change system with hexagonal mounting on the drive shaft enables the attachment to be changed quickly and easily.

The locking screw ensures that the attachment is securely fixed to the splitter.



## LASCO AUGERS

The LASCO augers are equipped with carbide teeth and a pendulum joint as standard.

Available drilling diameters:  
150mm, 200mm,  
300mm

Part no.	Designation
117548	Rotary cultivator ø 500 mm
117547	Rotary broom ø 1200 mm
117545	Weed brush ø 600 mm
117539	LASCO auger ø 150 x 1200 mm
117540	LASCO auger ø 200 x 1200 mm
117541	LASCO auger ø 300 x 1200 mm
117544	Adapter for attachments
117510	Mobile plate for cone splitter [D1]
117512	Mobile plate for cone splitter Eco
117509	Mobile plate for cone splitter K
117505	Euro mount incl. boom for cone splitter



## MOBILE PLATE FOR THE CONE SPLITTER

The mobile plate is designed to carry out splitting work weighted down with a support leg of the log trailer.

Unlike the fixed installation, the plate can also be lent out with the cone splitter attached, making it an ideal addition to a forestry community.



### LASCO ROTARY BROOM

Driven by a LASCO cone splitter, the rotary broom reliably cleans paving stones, sidewalks and driveways (ø 1200 mm)



### LASCO WEED BRUSH

Removes weeds and wild growth from paving stones or sidewalk edges (40 brush heads, wear-resistant and replaceable brushes, ø 600 mm)



### LASCO ROTARY CULTIVATOR

The LASCO rotary cultivator is used for loosening work in the soil or for removing root tangles (tines made of high-strength steel, ø 500 mm).



### EURO MOUNT FOR CONE SPLITTER

This mounting frame can be supplied with all small LASCO D1 cone splitters. The euro mount can be fitted with or without a boom. In addition to cone splitters, the euro mount can also be used for LASCO log grapples.



### VARIOUS MOUNTING SHOTS

We also supply the most common quick hitches of Lehnhoff, Martin and CAT.



# LASCO LOG GRAPPLES

## THE LAGRIP SERIES

Our log grapples are very sturdy thanks to their box-type design and the oversizing of all parts subject to heavy loads, such as cylinders, deflection rods, plain bearings and the use of highly wear-resistant steel.

We also provide grease nipple protection and powder coating! All log grapples have a universal hole pattern. Suitable for all flange rotators. A corresponding adapter is available for bolt rotators.



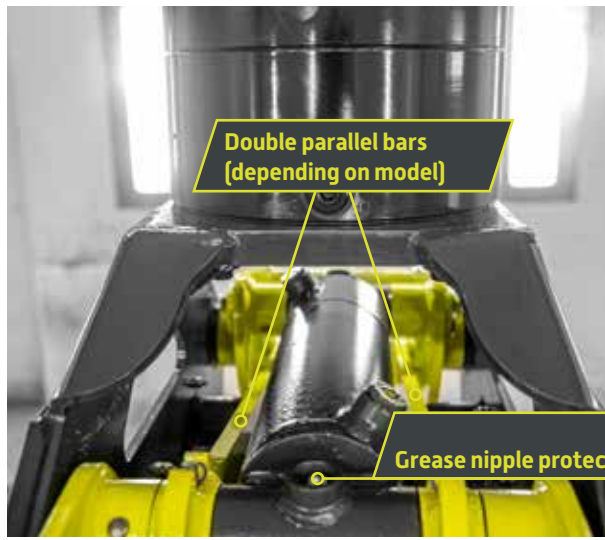
Universal hole pattern for mounting a wide range of rotators

Sturdy box construction

Highly wear-resistant steel

Galvanized and brazed shafts

isosceles opening



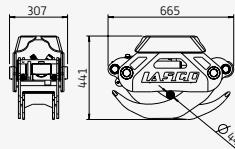
Double parallel bars (depending on model)

Grease nipple protection

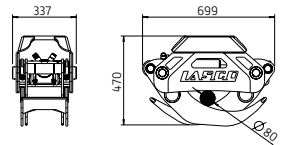


Extra strong design for high loads

### LA1000HZ

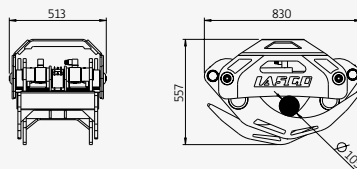


### LA1200HZ

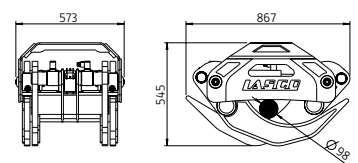


Part no.	117439	117440
Opening width [mm]	1000	1200
Weight [kg]	85	100
Gripper closing force [kN] at 200 bar*	9,5	11,6
Cylinder extension force [kN] at 200 bar*	77	100,5
Possible rotators	FHR3.000SF // FHR4.500RF // ARG 50-2.3	FHR3.000SF // FHR4.500RF // ARG 50-2.3 // ARH70-2.1

### LA1700DZ

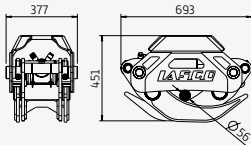


### LA1700DZE



Part no.	117444	117448
Opening width [mm]	1700	1700
Weight [kg]	230	310
Gripper closing force [kN] at 200 bar*	16,8	16
Cylinder extension force [kN] at 200 bar*	2x77	2x77
Possible rotators	FHR10FD2 // FHR 16FD1 // ARB80-1 inkl. AD 10 // ARB 120-3 inkl. AD 10 // AR-B150-3 inkl. AD 11	FHR10FD2 // FHR 16FD1 // ARB80-1 inkl. AD 10 // ARB 120-3 inkl. AD 10 // AR-B150-3 inkl. AD 11

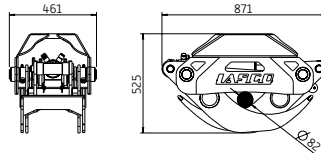
### LA1200EZ



117447  
1200  
125  
11,6  
100,5

FHR3.000SF // FHR4.500RF //  
ARG 50-2.3 // ARH70-2.1

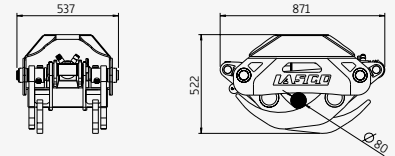
### LA1400HZ



117441  
1400  
175  
13,7  
100,5

FHR3.000SF // FHR4.500RF //  
FHR10FD2 // ARH70-2.1 // ARB80-1 inkl. AD  
10

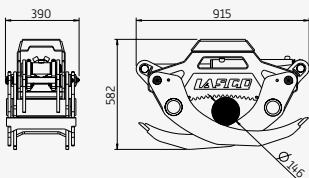
### LA1400EZ



117442  
1400  
215  
13,8  
100,5

FHR3.000SF // FHR4.500RF //  
FHR10FD2 // ARH70-2.1  
ARB80-1 inkl. AD 10

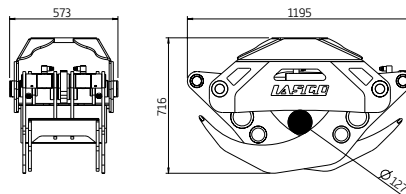
### LA1800HZ



117443  
1800  
180  
12,6  
100,5

FHR4.500RF // FHR10FD2 //  
FHR 16FD1

### LA2000DZ



117445  
2000  
390  
20,8  
2x77

FHR10FD2 // FHR 16FD1 //  
ARB80-1 inkl. AD 10 //  
AR-B150-3 inkl. AD 11



#### VARIOUS MOUNTING SHOTS

We also supply the most common quick hitches of Lehnhoff, Martin and CAT.

\* Operating pressure max. 220 bar  
Peak pressure max. 250 bar

# LASCO ROTATORS



Type	FHR 3.000 SF	FHR 4.500 RF	FHR 10 FD2	FHR 16 FD1
Part no.	117404	117403	117408	117409
Rotation range:	endless	endless	endless	endless
max. axial load:	3,0 t. / 30 kN	4,5 t. / 45 kN	10 t. / 100 kN	16 t. / 160 kN
Optimum liter output:	20 l/min	20 l/min	30 l/min	40 l/min
Weight:	25 kg	27 kg	64 kg	65 kg
Attachment:	140 x 140 mm Drilling 4 x Ø 17 mm	Bolt circle Ø 173 mm Drilling 4 x Ø 17 mm	Bolt circle Ø 173 mm Drilling 6 x Ø 17 mm	Bolt circle Ø 173 mm Drilling 6 x Ø 17 mm
max. working pressure:	250 bar	250 bar	250 bar	250 bar
Torque at 250 bar:	900 Nm	1200 Nm	2800 Nm	3400 Nm



**ARG50**

**ARH70**

**ARB80**

**ARB120**

**ARB150**



Type	Part no.	Torque at 320 bar (Nm)	max. Rotation (bar)	Torque (NM at max. pressure)	Optimum oil quantity (l/min)	Own weight (kg)	Installation height (mm)	Dredging serviceweight (to)
ARG50	133082	1300	320	1300	25	28	188	1,5-3,5
ARH70	130638	2800	320	2800	25	49	215	3-6
ARB80	130698	3000	320	3000	25	77	185	6-9
ARB120	132498	3800	320	3800	25	92	228	7-13
ARB150	130639	3800	320	3800	25	164	272	10-20



# LACOMBI DUOSCORP

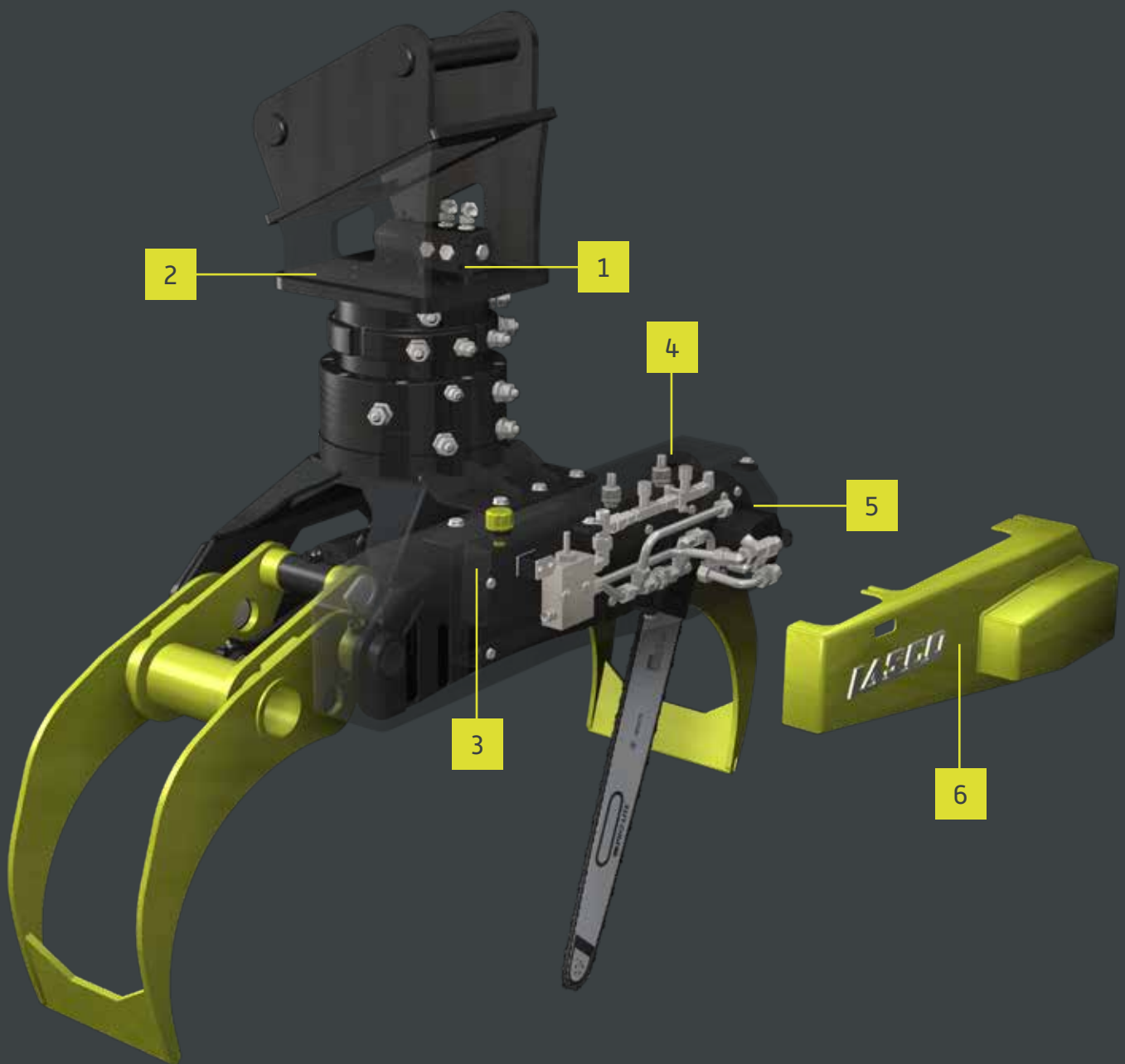
## THE LACOMBI-SERIES

The LACombi DUOSCORP combines a log grapple and a harvester saw. This makes cutting wood quick and effortless. Agricultural, forestry and municipal operations appreciate the fast sorting and cutting to length of tree trunks up to 60 cm in diameter. Problem tree felling is an additional area of application for the DUOSCORP. For example, standing trees with a diameter of 20 cm can be easily removed.

### Areas of application

- + Dead tree removal
- + Suitable for mini excavators
- + Firewood production
- + Storm cleanup operations

# DESIGN AND ADVANTAGES OF OUR GRAPPLE SAW DUOSCORP.



- 1 optional electric diverter valve**  
Protected electric changeover valve (useful if only 2 double-acting hydraulic connections are available)
- 2 Various excavator quick hitches**  
We also supply the most common mounts from Lehnhof, Martin and CAT.
- 3 Chainsaw lubrication**  
Automatic saw chain lubrication

- 4 Adjustable speeds/pressure**  
The hydraulic cylinder for extending/retracting the saw unit is adjustable.
- 5 Basic and speed**  
Two engine versions of the harvester saw exceed the expectations of hobby and professional users.
- 6 Protective body**  
Built-in housing to protect the saw unit with a 6 mm body.

# GRAPPLE SAW.

## One device, two functions.



### Benefits

- + one device, 2 functions
- + work in any weather
- + cut wood effortlessly and conveniently
- + outside the danger zone

### Technical specification

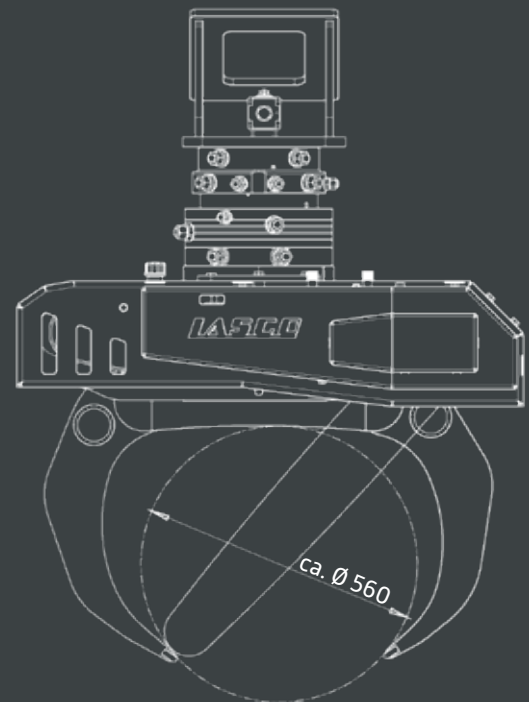
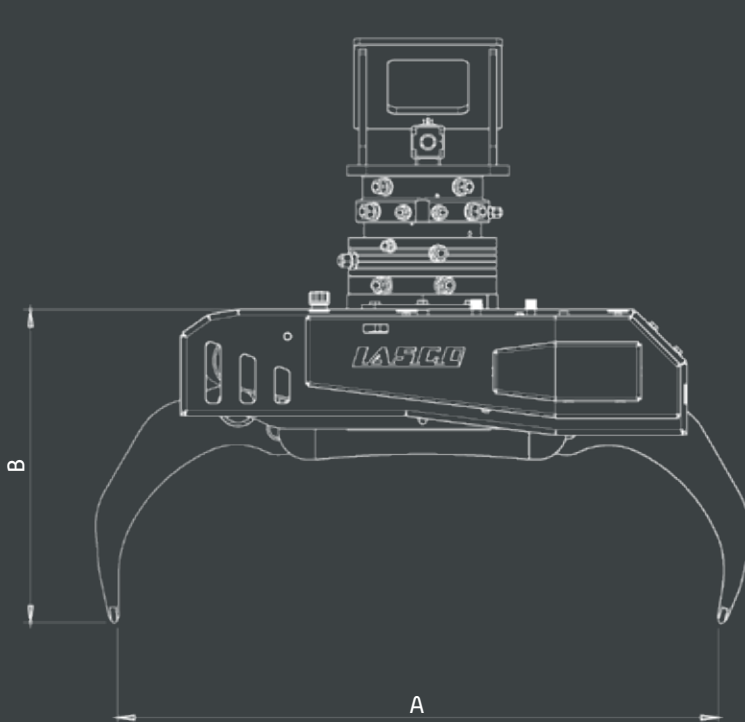
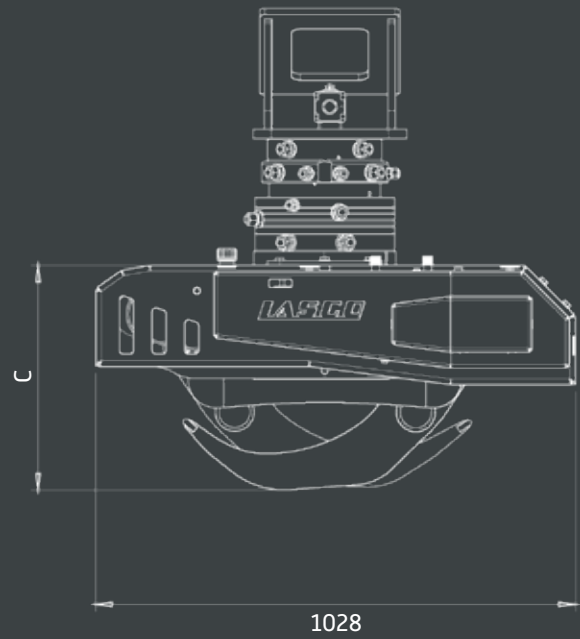
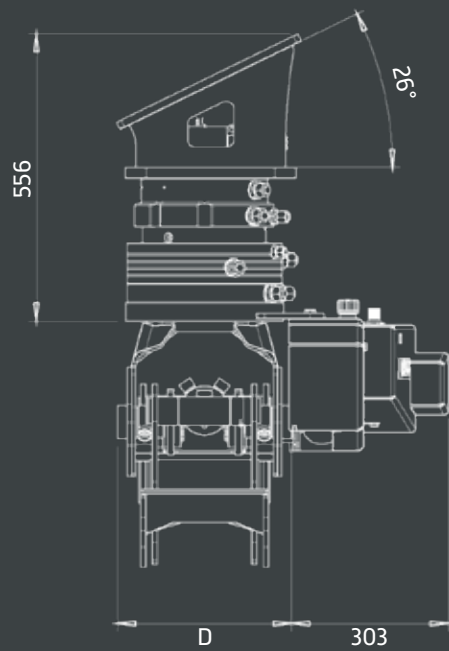
Oil flow rate	max. hydraulic pressure	Typical operating weight	Hydraulics incl. rotator <sup>1</sup>
30 - 150 l/min	170 - 230 bar	ab 5,5 t - 11 t	3x double-acting 22 L connection or 2x double-acting 22 L connection 1x electronic diverter valve (12 volt)

1) A case drain line is required in addition to double-acting connections.

Log grapples	LA1200HZ	LA1200EZ	LA1400HZ	LA1400EZ
Opening width	1200 mm	1200 mm	1400 mm	1400 mm
Grapple closing force at 200 bar	11,6 kN	11,4 kN	13,7 kN	13,8 kN

Harvester saw	Basic	Speed
Performance	up to 14,4 kW at 50,4 l/min (at 200 bar)	up to 50 kw at 67 l/min (at 400 bar)
Cutting speed	20,5 m/sec	up to 60m/sec

# Measurements



Type	Item no. Version Harvester saw		Grapple Opening width [A]	Grapple height open [B]	Grapple height closed [C]	Grapple width Body [D]	Weight <sup>1</sup>
	Basic	Speed					
DUOSCORP 1200HZ	130923	130920	1200 mm	640 mm	484 mm	337 mm	ca. 325 kg
DUOSCORP 1200EZ	130922	130919	1200 mm	655 mm	480 mm	380 mm	ca. 350 kg
DUOSCORP 1400 HZ	117550	117551	1400 mm	765 mm	530 mm	445 mm	ca. 400 kg
DUOSCORP 1400EZ	130924	130921	1400 mm	760 mm	530 mm	515 mm	ca. 440 kg

1) Weight with rotator and angled mount plate but without quick hitch



# GRAPPLE SAW & CONE SPLITTER

## LACOMBI TRISCORP

With the Triscorp it is possible to produce firewood effortlessly and comfortably from the excavator. In the driver's cab, work is not only effortless, but also comfortable.

### **BENEFITS:**

- + one machine, 3 functions
- + in any weather
- + make wood effortlessly and conveniently
- + work outside the danger zone



# ONE, TWO, TRISCORP



**SAWING**



**SPLITTING**



**LIFTING**

# TRISCORP MODELS

## + Cone splitter D1.10.28

Wood for splitting up to 300 cm in length and max. 100 cm to 110 cm in diameter

## + Grapple

Opening widths from 1200 mm to 1400 mm  
Available as timber grapple [HZ] and energy wood grapple [EZ]

## + Harvester saw

Basic: Cutting speed up to 20.5m/sec  
Speed: Cutting speed up to 60m/sec



Type	Item no. Version Harvester saw		Grapple Opening width [A]	Grapple height open [B]	Grapple height closed [C]	Grapple width Body [D]	Weight <sup>1</sup>
	Basic	Speed					
TRISCORP 1200HZ	130923	130920	1200 mm	640 mm	484 mm	337 mm	ca. 455 kg
TRISCORP 1200EZ	130922	130919	1200 mm	655 mm	480 mm	380 mm	ca. 480 kg
TRISCORP 1400 HZ	117550	117551	1400 mm	765 mm	530 mm	445 mm	ca. 530 kg
TRISCORP 1400EZ	130924	130921	1400 mm	760 mm	530 mm	515 mm	ca. 570 kg

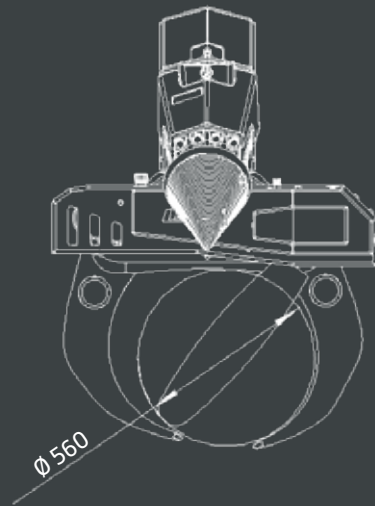
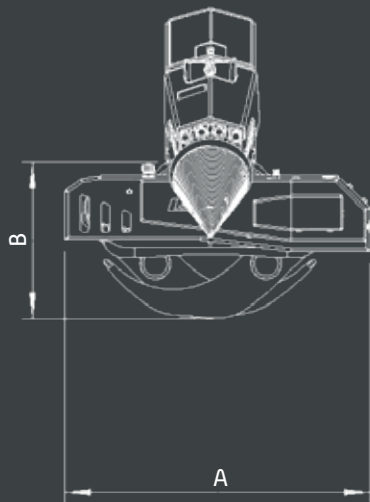


The sophisticated mounting geometry minimizes wear.

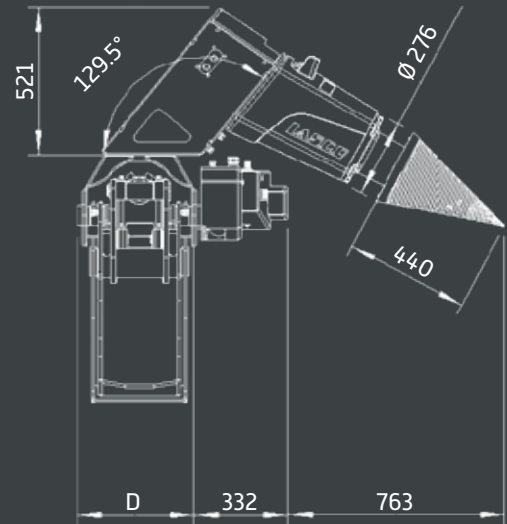
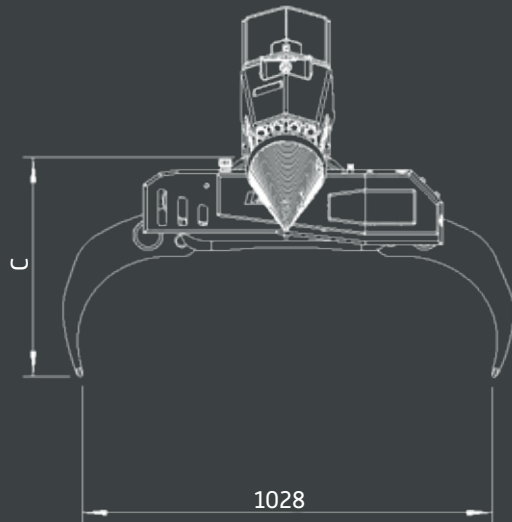


The small distance between the Triscorp and the tree trunk reduces the leverage forces.

# Measurements

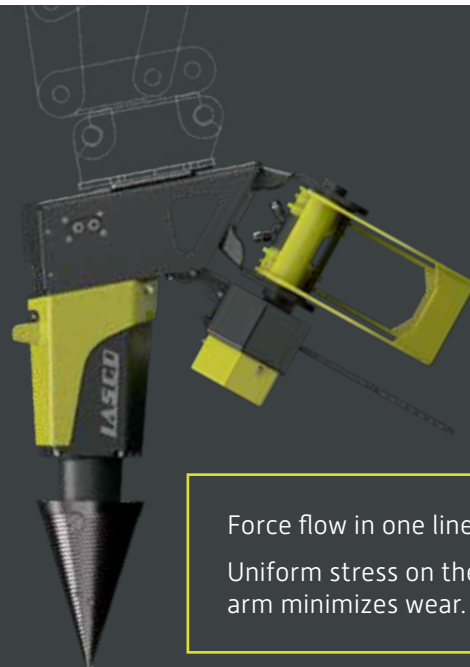


A= 1410 mm  
B= 754 mm  
C= 525 mm  
D= 415 mm



## Technical requirements

Oil quantity	30 - 150 l/min
max. hydraulic pressure	170 - 200 bar
Operating weight	ab 5,5 to - 11 to
Weight	min. 455 kg - max. 570 kg
Hydraulics	3x double-acting 22 L connection or 2x double-acting 22 L connection 1x electronic diverter valve [12 volt]



Force flow in one line.

Uniform stress on the excavator arm minimizes wear.



# DEMOLITION AND SORTING GRAPPLE

## + Above-average durability

There is more highly wear-resistant steel in a LASCO multi-purpose grab than in many other makes. This increases the service life.

## + Versatile application options for 6 t to 26 t

The different bucket shapes enable use in gardening and landscaping, recycling, earthmoving and demolition.

## + Center of gravity - close to the carrier vehicle

This increases stability on the one hand and makes working with our multi-purpose grapple extremely sensitive on the other.

## + Safety - grapple remains closed

Our grapples are all equipped with a load-holding valve. In the event of a hose rupture, the multi-purpose grapple remains closed.

## FIELDS OF APPLICATION



**MORE INFORMATION, MODELS & OTHER BENEFITS:** <https://www.lasco.at/en/demolition-and-sorting-grapple/>  
**DIGITAL BROCHURE DOWNLOAD:** <https://www.lasco.at/en/downloads/>

# LASCO WOOD DRYING

YOUR SPECIALIST  
FOR DRYING

Reliable drying of firewood - efficient and practical with the H250 hot-air oven from LASCO

Providing sufficient quantities of top-quality firewood is a major challenge for many businesses. The H250 biomass hot air stove from LASCO has proven to be an effective solution for efficiently drying both logs and wood chips.

The logs are easily dried in drying containers or on a drivable gill plate floor. This floor is not only suitable for firewood, but also enables the gentle and even drying of other bulk materials such as wood chips, maize, grain and much more.

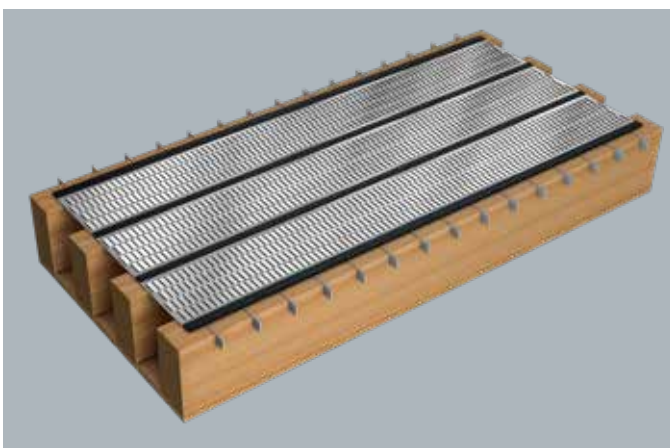
Feel free to contact us and ask one of our customer advisors about a suitable drying solution for you.



Simple loading of an H250 with a wheel loader. The H250 is connected directly to two drying containers.



Heat distribution made easy. The drying air enters the drying container effortlessly via warm air hoses.



LASCO 3mm hot-dip galvanized louvered plates with scraper strips support vehicle traffic and loader scraping. The 1mm openings are ideal for wood chips, grain, corn, and similar materials.



Hay drying system with combined drying floor for drying various bulk materials.



**LASCO**

**LASCO Heutechnik GmbH**

Lascostraße 1, A-4891 Pöndorf | Phone: +43 (0)7684 / 21666-0  
E-Mail: [office@lasco.at](mailto:office@lasco.at) | [www.lasco.at](http://www.lasco.at)

136810 | Version BI Status 2025

Subject to changes, errors and printing and typesetting errors.  
Pictures and drawings schematic.